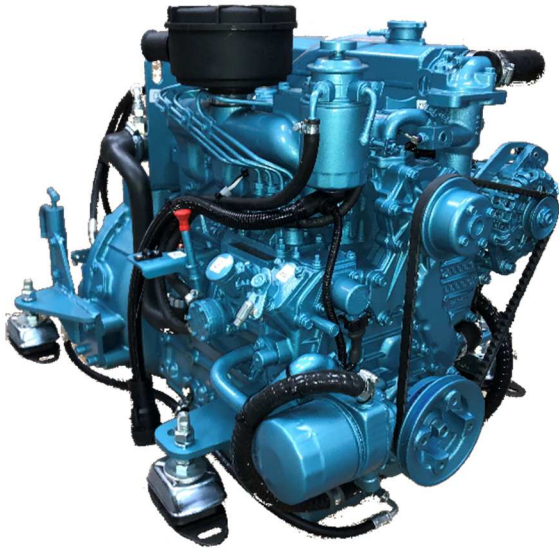


# THORNYCROFT TK-50

4-cylinders in line 50bhp @ 2600 r/min



## Technical Specifications

<b>Type</b>	Diesel, 4 Stroke
<b>No of cylinders</b>	4, in line
<b>Intake system</b>	Naturally Aspirated
<b>Bore x Stroke</b>	87mm x 92.4mm
<b>Total Displacement</b>	2179 cc
<b>Intermittent power</b>	50 bhp @ 2600 r/min
<b>Continuous power (ISO 8665)</b>	33.7 kW @ 2600 r/min
<b>Injection System</b>	Mechanical and indirect
<b>Starter Motor</b>	12V
<b>Alternator</b>	75A, 12V
<b>Max Operating Angle</b>	30' intermittent / 25' continuous
<b>Rotation (viewed from flywheel)</b>	Counter clockwise
<b>Cooling System</b>	Sea water heat exchanger
<b>Dry Weight without gearbox</b>	256 kg
<b>Seawater inlet hose diameter</b>	27 mm
<b>Fuel feed hose diameter</b>	8 mm
<b>Fuel return hose diameter</b>	5 mm
<b>Exhaust hose diameter</b>	50mm
<b>Emission Compliance</b>	EU RCD2

## Engine Control Panel

	Standard – TK1		Deluxe Panel - TK2
	Tachometer		Tachometer
	Hour recorder		Hour recorder
	Keyswitch		Keyswitch
	Low Battery Alarm		Voltmeter
	High Engine Temp		Temperature Gauge
	Low Oil Pressure		Oil Pressure Gauge
203mm x 165mm		280mm x 190mm	

## Scope of Supply

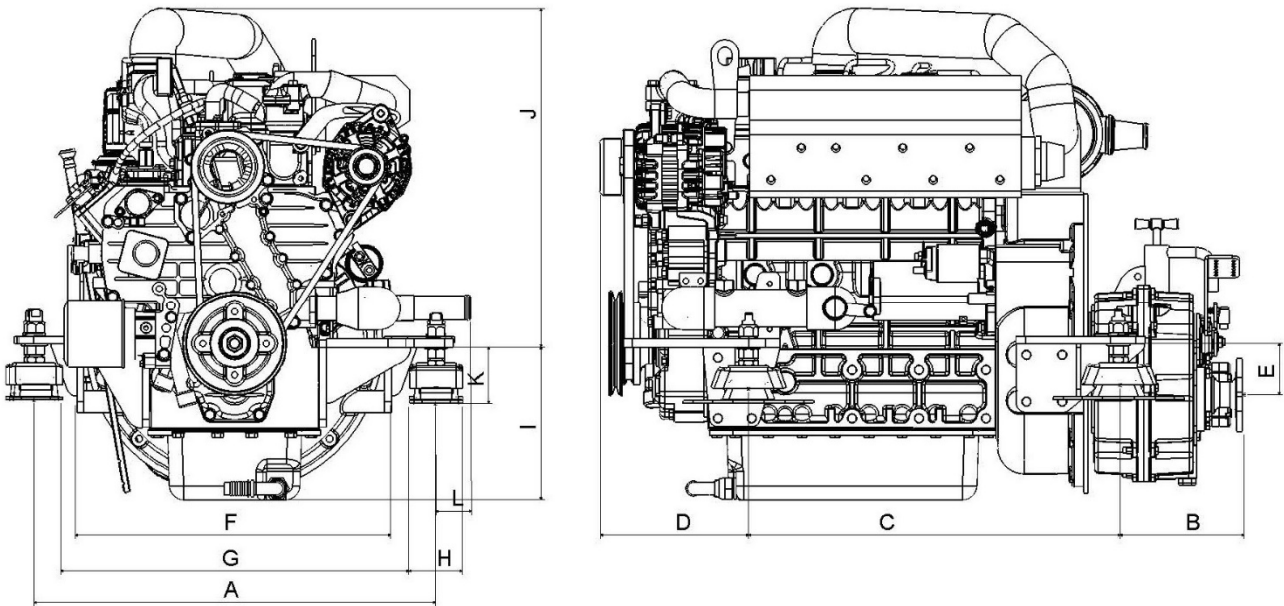
### Standard Equipment

Standard Engine Control Panel TK1  
 4-metre extension loom  
 Anti-Vibration Mounts  
 Sump oil drain pump  
 Water trap within fuel filter  
 Single Side Servicing  
 Gear driven Water pump  
 Owner's Manual

### Optional Equipment

Deluxe Control Panel TK2  
 Additional Alternators  
 Deck Wash Pump  
 Hydraulic Pumps  
 Front Power Take off  
 Hot Water connections  
 Dry exhaust / Keel Cooling (workboat only)  
 Water inlet & exhaust system  
 Fuel intake systems  
 465 mm wide engine feet

## Engine Drawing



Engine	A	B	C	D	E	F	G	H	I	J	K	L
Thornycroft TK-50	572	185	530	215	69	472	497	75	215	515	80	108

Dimensions are shown for Guidance Only

## Gearbox Options

Model	Angle	Ratio (Pleasure)	Ratio (Commercial)	Engine Weight with Gearbox
PRM 150	0°	1.53:1, 2.09:1, 2.82:1	N/A	277 kg
PRM 280	0°	1.96:1, 2.94:1	1.96:1, 2.94:1	304 kg
TMC 345A	8°	1.54:1, 2.00:1, 2.47:1	1.54:1, 2.00:1, 2.47:1	281 kg

Authorised Dealer:

# THORNYCROFT

Marine Enterprises Ltd.  
 Units 1-3, Townsend Buildings, Melbury  
 Osmond, Dorchester. DT2 0LP  
 Tel: +44 (0) 1935 83876  
 E-mail: info@thornycroftengines.com

Ref: TK-50/200421